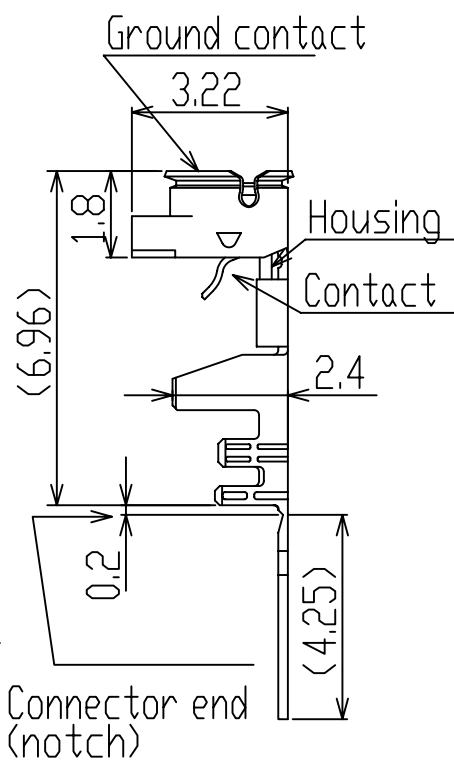
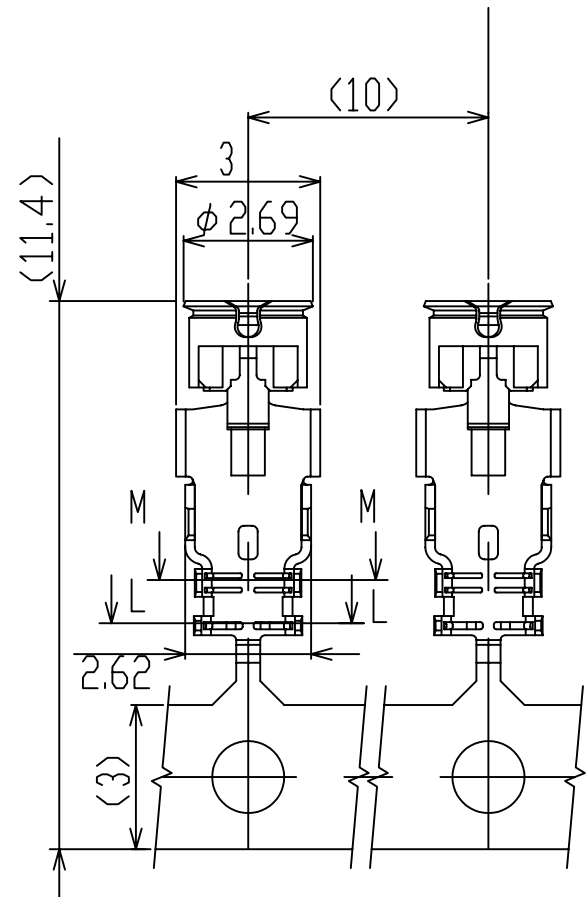
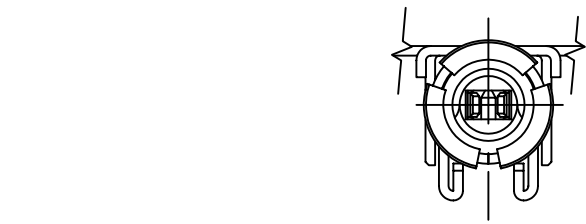
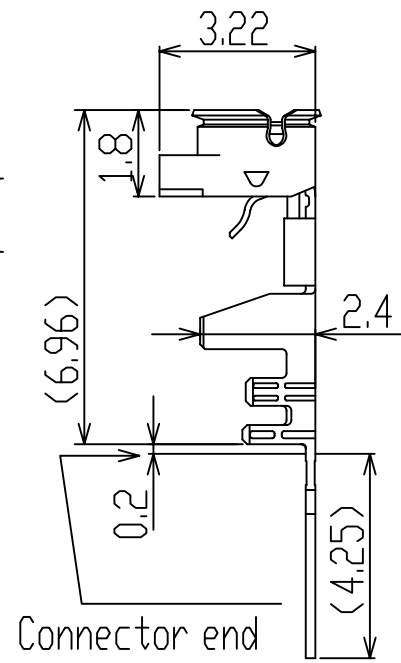


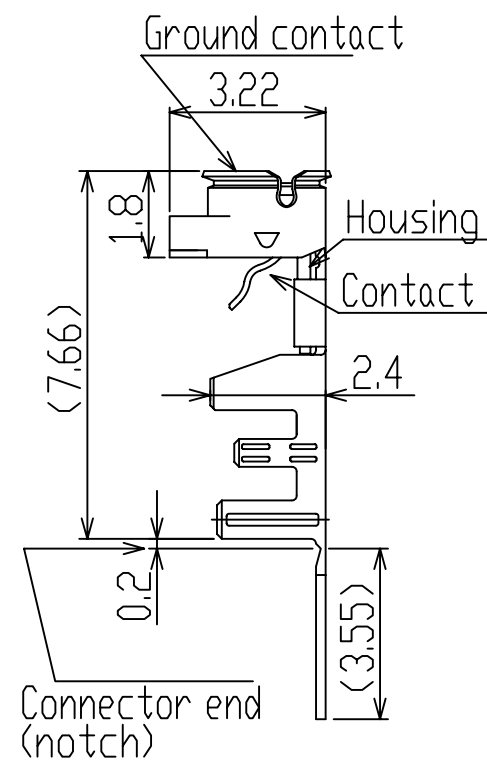
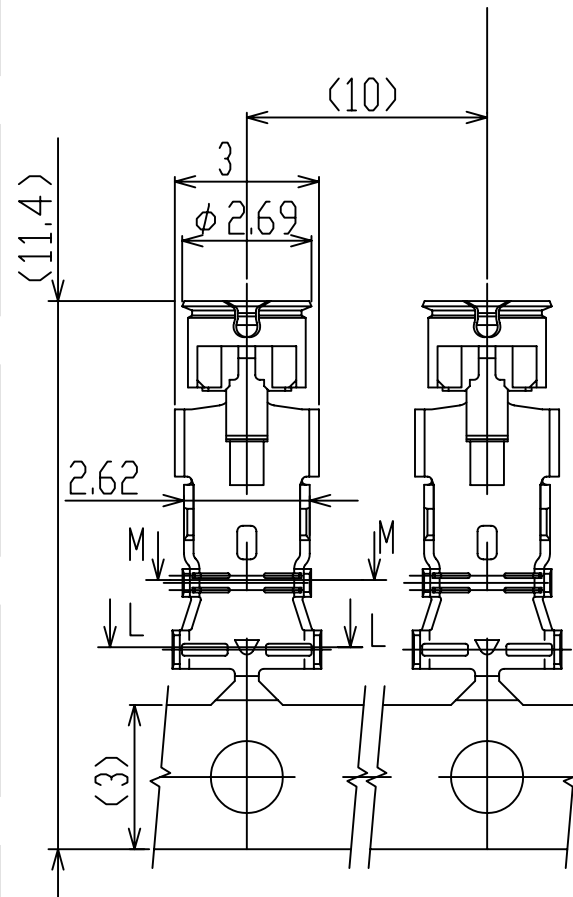
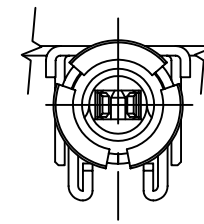
PART NO.  
20278-\*\*1R-\*\*



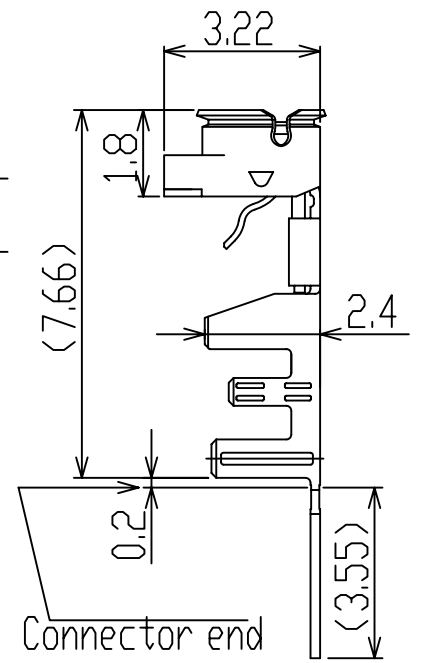
Part No.20278-101R-08  
20278-101R-13  
20278-101R-32  
For hand tool  
(with notch)



Part No.20278-111R-08  
20278-111R-13  
20278-111R-32  
For semi auto  
termination machine  
(without notch)



Part No.20278-101R-18  
For hand tool  
(with notch)



Part No.20278-111R-18  
For semi auto  
termination machine  
(without notch)

GENERAL TOLERANCE	
6 MAX.	$\pm 0.2$
6 OVER MAX.30	$\pm 0.3$
30 OVER MAX.120	$\pm 0.5$
ANGLE	$\pm 2^\circ$

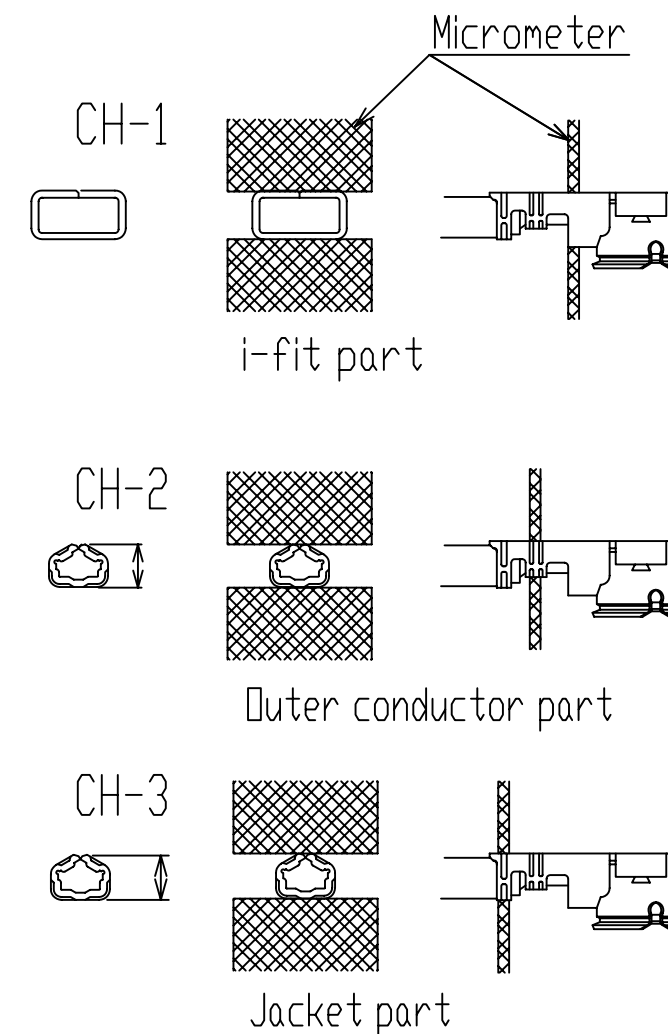
11C	Z3041	K.O	Mdr/24/03	K.K	4	Z2023	K.O	JAN/30/02	E.K
10C	Z3014	K.O	JAN/31/03	K.K	3	Z1256	K.O	NOV/14/01	K.K
9C	Z2239	K.O	NOV/15/02	E.K	2	Z1197	K.O	AUG/27/01	K.K
8C	Z2224	K.O	OCT/17/02	E.K	1	Z1118	K.O	JUN/26/01	K.K
7B	Z2180	K.O	JUL/29/02	E.K	0	Z1109	K.O	JUN/13/01	
6B	Z2146	K.O	JUN/24/02	K.K					
5B	Z2117	A.H	MAY/17/02	K.K					
REV	ECN	BY	DATE	APP	SERIES No.	2814			

DESIGN'D BY	DATE
K.Ohbayashi	JUN/13/01
CHK'D BY	DATE
APP'D BY	DATE
K.Katabuchi	JUN/13/01
CUSTOMER COPY	PROJECTION

**I-PEX** Interconnect  
and Packaging Electronics  
TOKYO, JAPAN

TITLE	MHF series micro coaxial connector plug vertical (ground contact : gold plating)			
SCALE	UNIT	DWG. No.	SHEET	REV.
6/1mm		20278	1/3	11C

Part No.	20278-101R-08 20278-111R-08	20278-101R-13 20278-111R-13	20278-101R-32 20278-111R-32	20278-101R-18 20278-111R-18
Applicable cable nominal dimension				
Braided shield of Outer conductor 外部導体の編組	Single / 1重編組	Single / 1重編組	Double / 2重編組	Single / 1重編組
P/N of hand Tool	90187-008C	90187-013C	90187-032C	90233-018
P/N of semi auto termination machine	90213-008C	90213-013C	90213-032C	90232-018
Sect. M-M				
Sect. L-L				
Crimp Height	CH-1	1.34~1.40	1.34~1.40	1.34~1.40
	CH-2	0.76~0.84	1.06~1.14	1.20~1.30
	CH-3	0.85~0.97	1.15~1.35	1.26~1.46



### Crimp Height

GENERAL TOLERANCE		
6 MAX.	±0.2	
6 OVER MAX.30	±0.3	
30 OVER MAX.120	±0.5	
ANGLE	±2°	

DESIGN'D BY	DATE		
CHK'D BY	DATE		
APP'D BY	DATE		
REV. ECN	BY	DATE	APP
REV. RECORD			
SERIES No.	2814	CUSTOMER COPY	PROJECTION

<b>I-PEX</b> Interconnect and Packaging Electronics TOKYO, JAPAN	
TITLE MHF series micro coaxial connector plug vertical (ground contact : gold plating)	
SCALE UNIT	DWG. No.
- / mm	20278
SHEET	REV.
2/3	11C

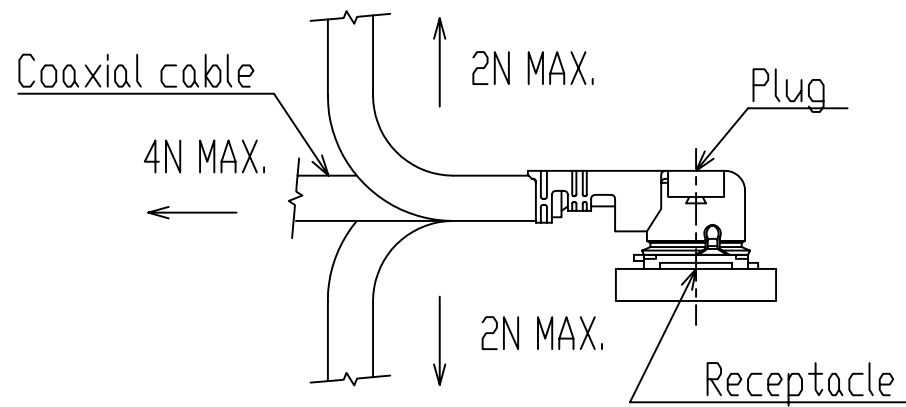
Notes

1. Material  
 (1) Housing : PBT , UL94V-0 , black  
 (2) Contact  
 phosphor bronze  
 gold plating  
 (3) Ground contact  
 phosphor bronze , gold plating  
 2. Packing : reel  
 3. Mating partner part No.  
 : 20279-001E-01

1. 材料  
 (1) ハウジング : PBT, UL94V-0, 黒色  
 (2) コンタクト  
 :りん青銅  
 :金メッキ  
 (3) グランドコンタクト  
 :りん青銅, 金メッキ  
 2. 梱包 : リール  
 3. かん合相手 part No.  
 : 20279-001E-01

4. Permissible load of cable at mating

コネクタかん合後のケーブルに対する荷重

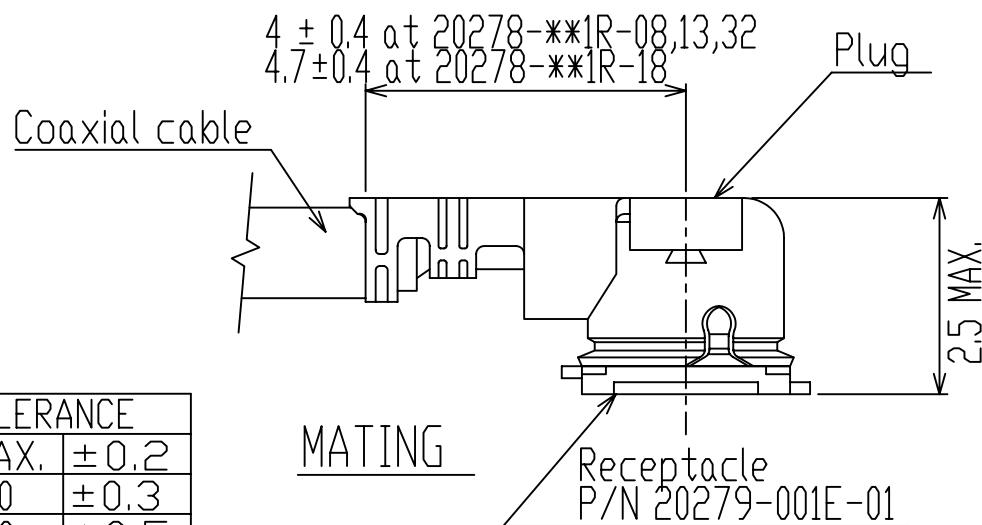


5. Suggestions for mating & unmating operation.

5. コネクタかん合時および抜去時の注意

5-1 Mating.  
 Please mate the connector straightly to vertical direction as much as possible, adjusting the mating axis of plug and receptacle. As excessive slant angle mating may break the connector, please don't do it.

5-1 コネクタ挿入時  
 PlugとReceptacleのかん合軸を合わせ、できるだけ垂直に挿入して下さい。極端な斜め挿入は行わないで下さい。コネクタ破損の原因となりますので、過度なこじり挿抜は行わないで下さい。

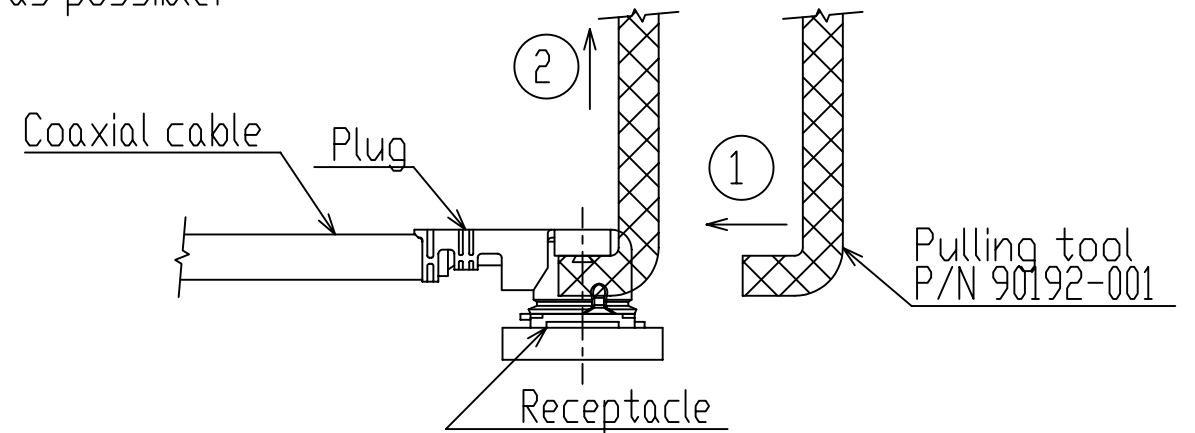


5-2 Unmating.

5-2 コネクタ抜去時

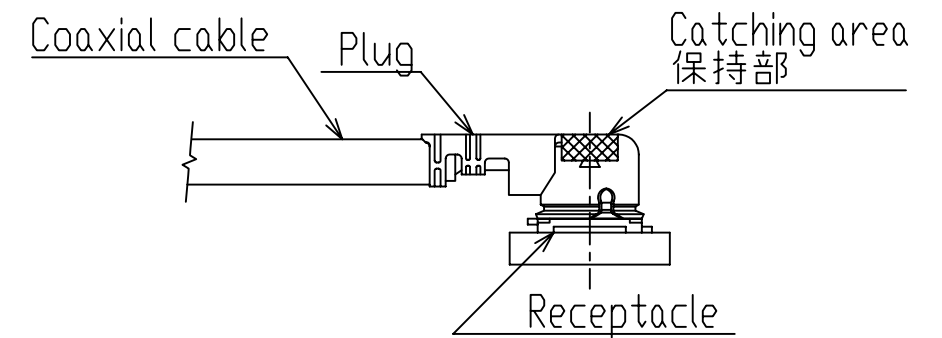
(1) In case of unmating by pulling tool.  
 Please use the pulling tool as the following drawing, and please pull plug to vertical direction as directly as possible.

(1) 抜去ジグを用いる場合  
 下図のようにできるだけ垂直に引き抜いて下さい。



(2) In case of unmating directly by hand  
 Please catch the catching area of plug, and please pull plug to vertical direction as directly as possible.

(2) 手で直接引き抜く場合  
 下図の保持部をつかみ、できるだけ垂直に引き抜いて下さい。



GENERAL TOLERANCE		
6 MAX.	±0.2	
6 OVER MAX.30	±0.3	
30 OVER MAX.120	±0.5	
ANGLE	±2°	

DESIGN'D BY	DATE	<b>I-PEX</b> Interconnect and Packaging Electronics TOKYO, JAPAN								
CHK'D BY	DATE									
APP'D BY	DATE									
REV. ECN	BY	DATE	APP	TITLE	MHF series micro coaxial connector plug vertical (ground contact : gold plating)					
REV. RECORD				CUSTOMER COPY	PROJECTION	SCALE	UNIT	DWG. No.	SHEET	REV.
SERIES No.	2814				①	- / mm		20278	3/3	11C